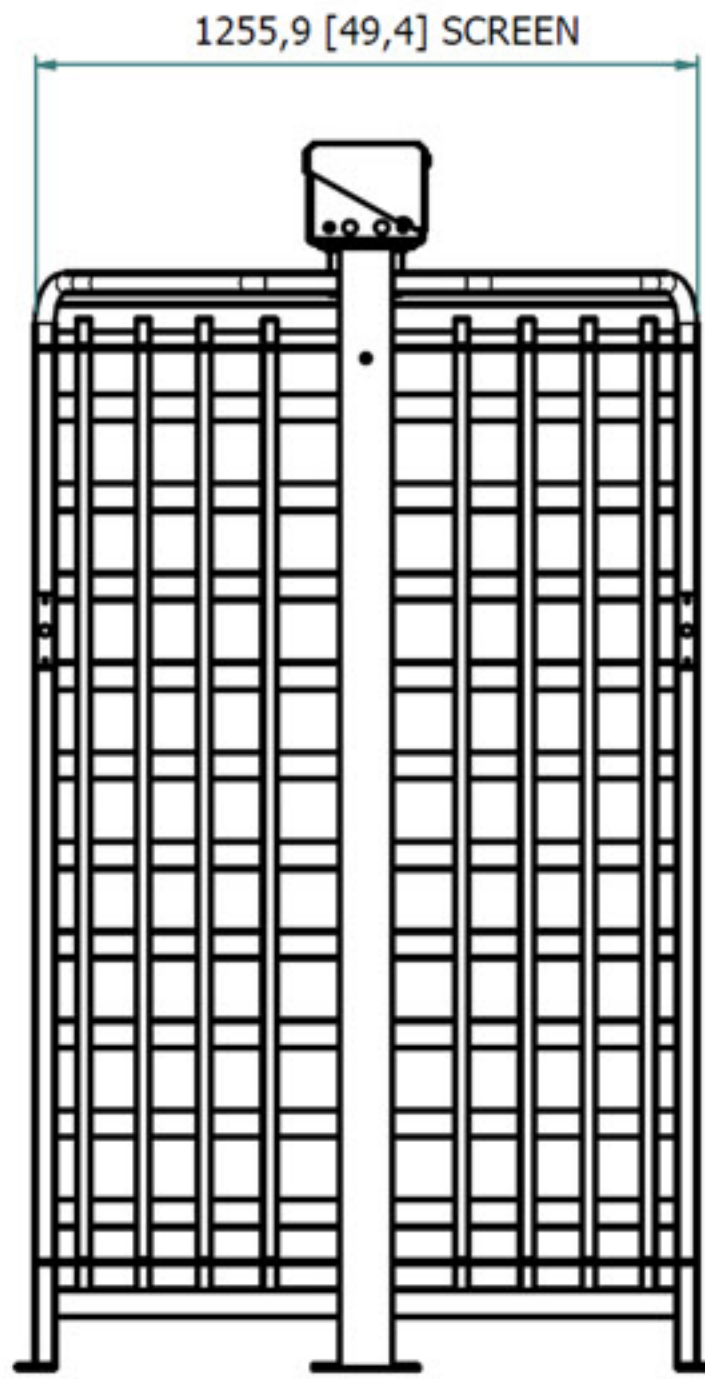
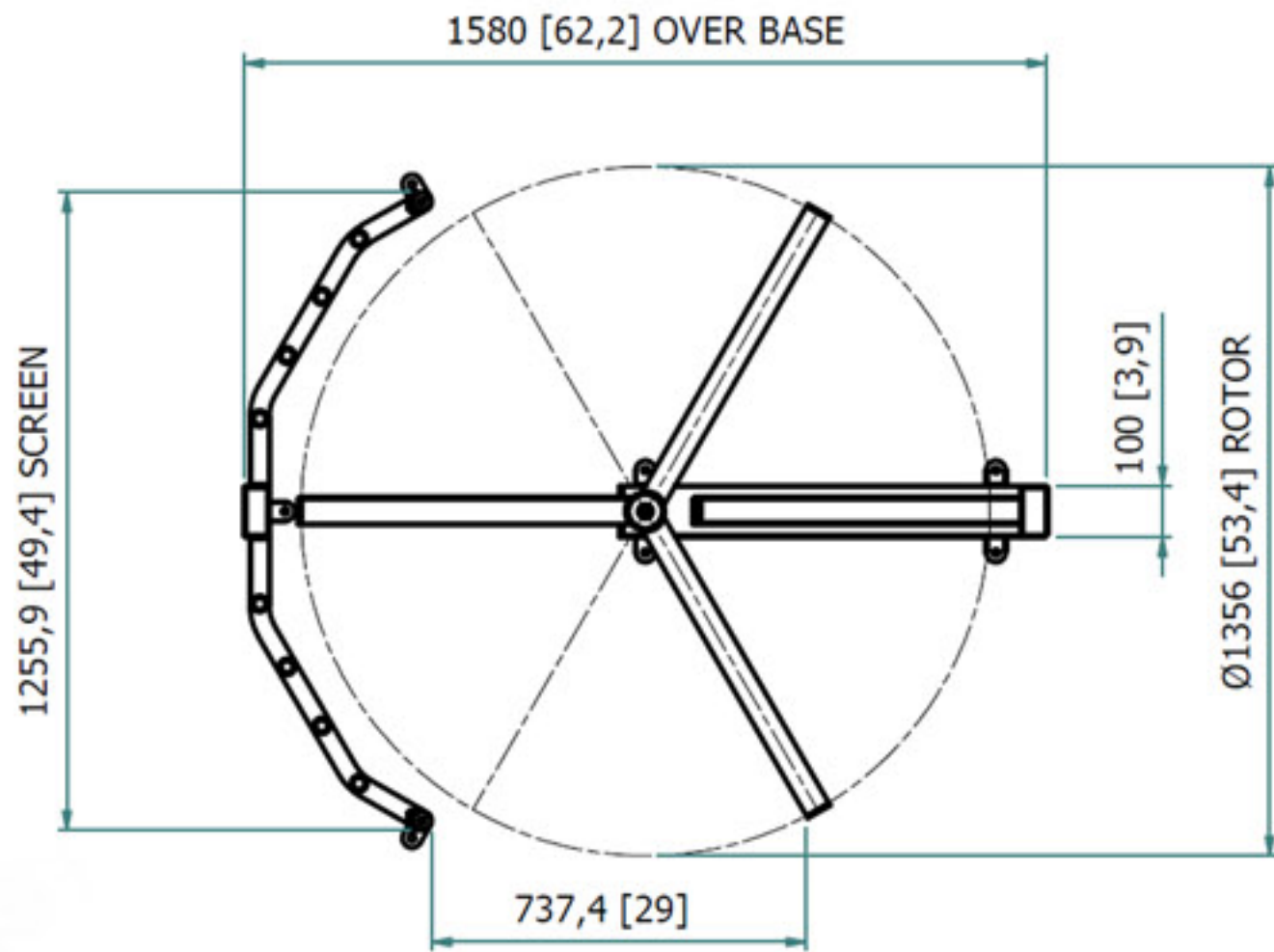


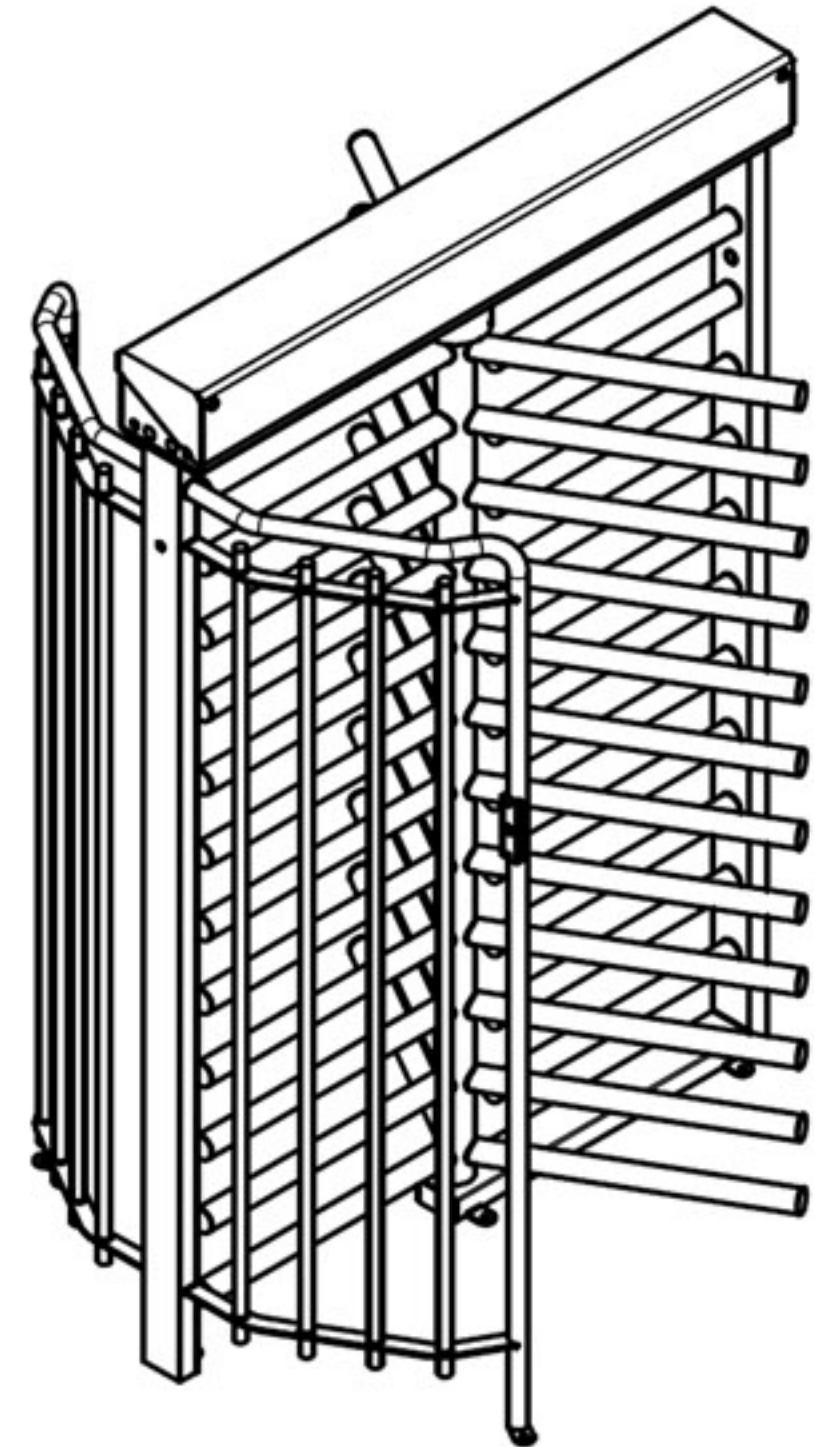
FRONT



SIDE (L)



SECTION: A-A



ISOMETRIC (TL)

FIRST DRAWN	BY
04/03/2024	RJI
REVISED	BY


www.PrivateLabelTurnstiles.com
Info@PrivateLabelTurnstiles.com | 719-992-7993

www.PrivateLabelTurnstiles.com
 TITAN SINGLE 3-ARM
 29" Passage
 Equipment Dimension Detail

DWG
 TITAN SINGLE 3-ARM
 29" Passage EDD ELD

DATE 04/03/2024

SHEET 1 OF 2

AUTHORIZED SIGNATURE: _____ DATE: ___/___/___

1

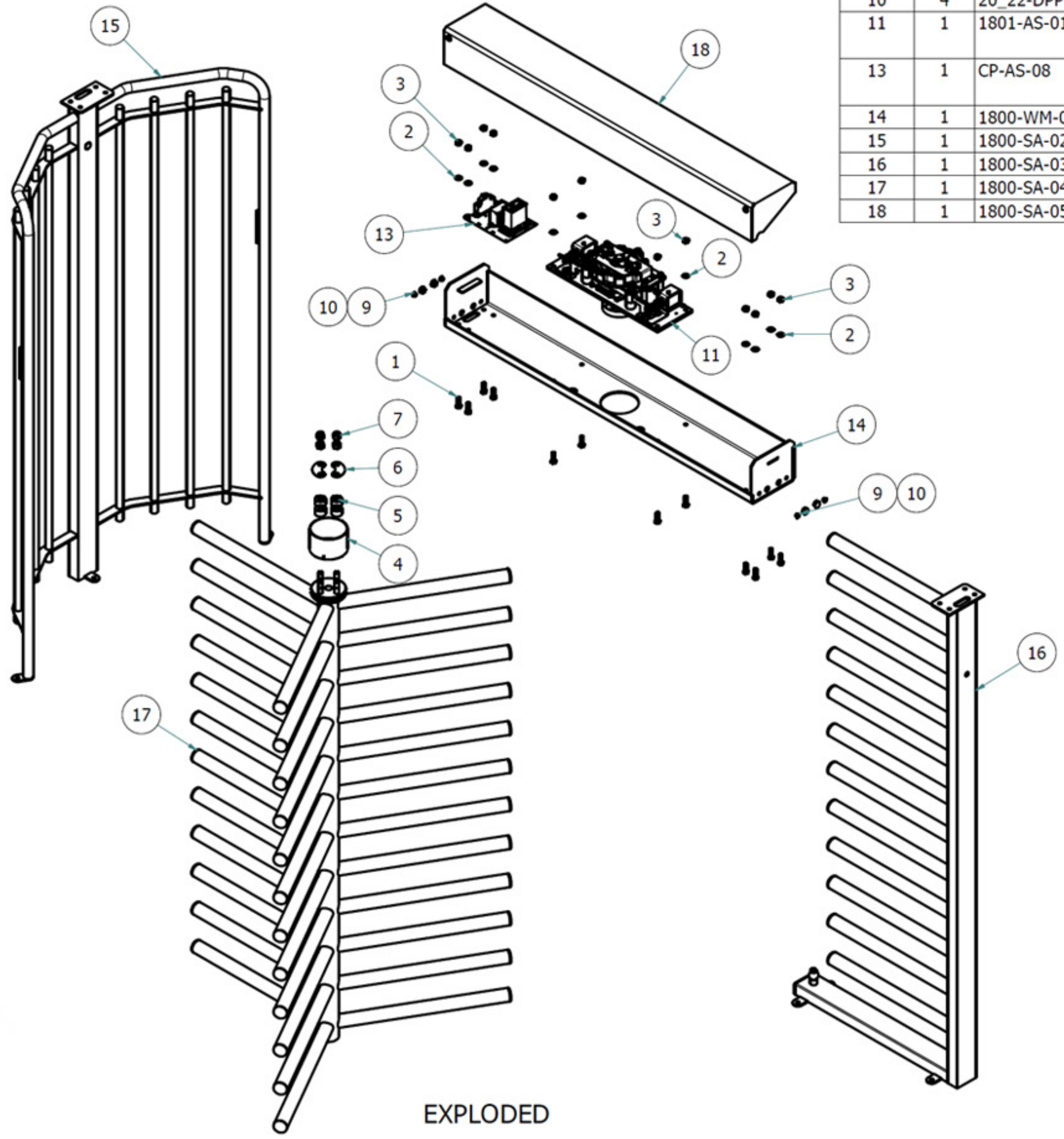
2

3

4

PARTS LIST			
ITEM	QTY	PART NUMBER	DESCRIPTION
1	12	M12x35-HSS-ZP	M12x35 HEX SET SCREW, 4.8, ZP
2	12	M12x24-PFW-ZP	M12x24 PLAIN FLAT WASHER, ZP
3	12	M12-HN-ZP	M12 HEX NUT, ZP
4	1	FHT-SA-01	TOP DISK SLEEVE ASSEMBLY
5	4	FHT-PT-02	RUBBER DISK BUFFER, 40 OD x 16 ID x 25mm
6	2	FHT-LC-33	BEAN WASHER
7	4	M16-NHN-ZP	M16 NYLOCK HEX NUT, ZP
9	4	13-PP-BL	DIA 13 INTERNAL PANEL PLUG, BLACK HDPE
10	4	20_22-DPP-BL	DIA 20-22 DOME PANEL PLUG, BLACK HDPE
11	1	1801-AS-01	3-ARM FAIL SAFE FHE MECHANISM WITH RATE CONTROLLER
13	1	CP-AS-08	FULL HEIGHT CONTROL PANEL ASSY (BLUE LOGIC) WITH STRAP
14	1	1800-WM-02	SINGLE TOP CHANNEL WELDMENT
15	1	1800-SA-02	3-ARM SCREEN ASSEMBLY
16	1	1800-SA-03	TITAN SINGLE COMB ASSEMBLY
17	1	1800-SA-04	TITAN 3 SINGLE ROTOR ASSEMBLY
18	1	1800-SA-05	

FIRST DRAWN	BY
04/03/2024	RJI
REVISED	BY



EXPLODED


www.PrivateLabelTurnstiles.com
Info@PrivateLabelTurnstiles.com | 719-992-7993

www.PrivateLabelTurnstiles.com
 TITAN SINGLE 3-ARM
 29" Passage
 Equipment Dimension Detail

DWG
 TITAN SINGLE 3-ARM
 29" Passage EDD ELD

DATE 04/03/2024

SHEET 2 OF 2

AUTHORIZED SIGNATURE: _____ DATE: ___ / ___ / ___

1

2

3

4